

# Reliable Sourcing Co.

*medical machines*



Reliable Sourcing ( RS ) is a pioneering innovator of Laser, light-based, radiofrequency and ultrasound technologies for the aesthetic market. We enable practitioners to offer safe and effective procedures while allowing patients to benefit from state-of-the-art, clinically proven solutions.



+74995042899

info@resourcingco.co  www.resourcingco.co





# Smart RS1200

1200W triple wave machine with 3rd generation handpiece

Professional 1200W three-wave laser diode 755, 808, 1064 devices: 2 in 1 spot size, with big size 15\*30mm and small size 10\*15mm, High laser power 1200W. Super high power, make treatment more efficient, Special design with water filters outside of device, extremely easy to change water filter in the future. The device can use for painless hair removal. proper for different skin and hair types.



1200W  
Super Power

15\*10mm  
Small Spot

15\*30mm  
Big Spot



Reliable Sourcing





# Handpiece

- ▶ Intelligent Recognition
- ▶ Big LED Screen
- ▶ Super Cooling
- ▶ Real-Time Monitoring
- ▶ Customization Available

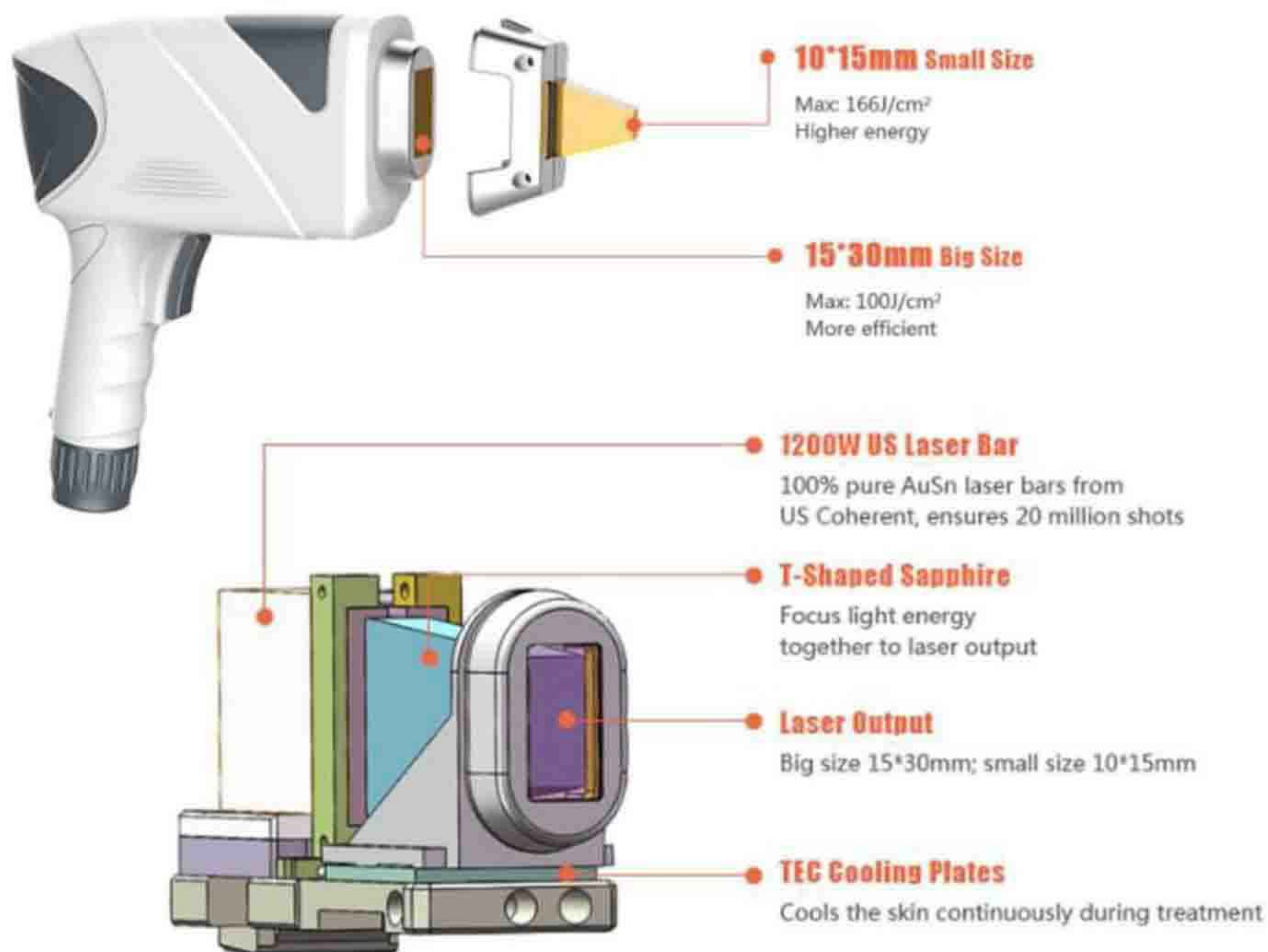


High power and two spot size to meet fast hair removal and hair removal effect

The 1200 W laser output power ensures that the handpiece can output enough energy to achieve the hair removal effect.

**Big spot size 15 30 mm** is suitable for fast hair removal in large areas - such as leg hair or back hair.

**Small spot size 10 15mm** is suitable for small areas of fine hair removal - such as lip hair or finger hair.



## Benefit

- Unique handle with double spot size, big spot size plus an extra replaceable small tip, super good cooling effect, truly painless.
- 100% Pure AuSn bars from USA Coherent / German Dilas. Super long lifespan of 20 million shots.
- High energy to 166J/cm<sup>2</sup>, better effect.
- Excellent heat dissipation system and water circulation system.
- Most advanced monitoring and alarming system.
- User friendly software for simple or profession.



Reliable Sourcing

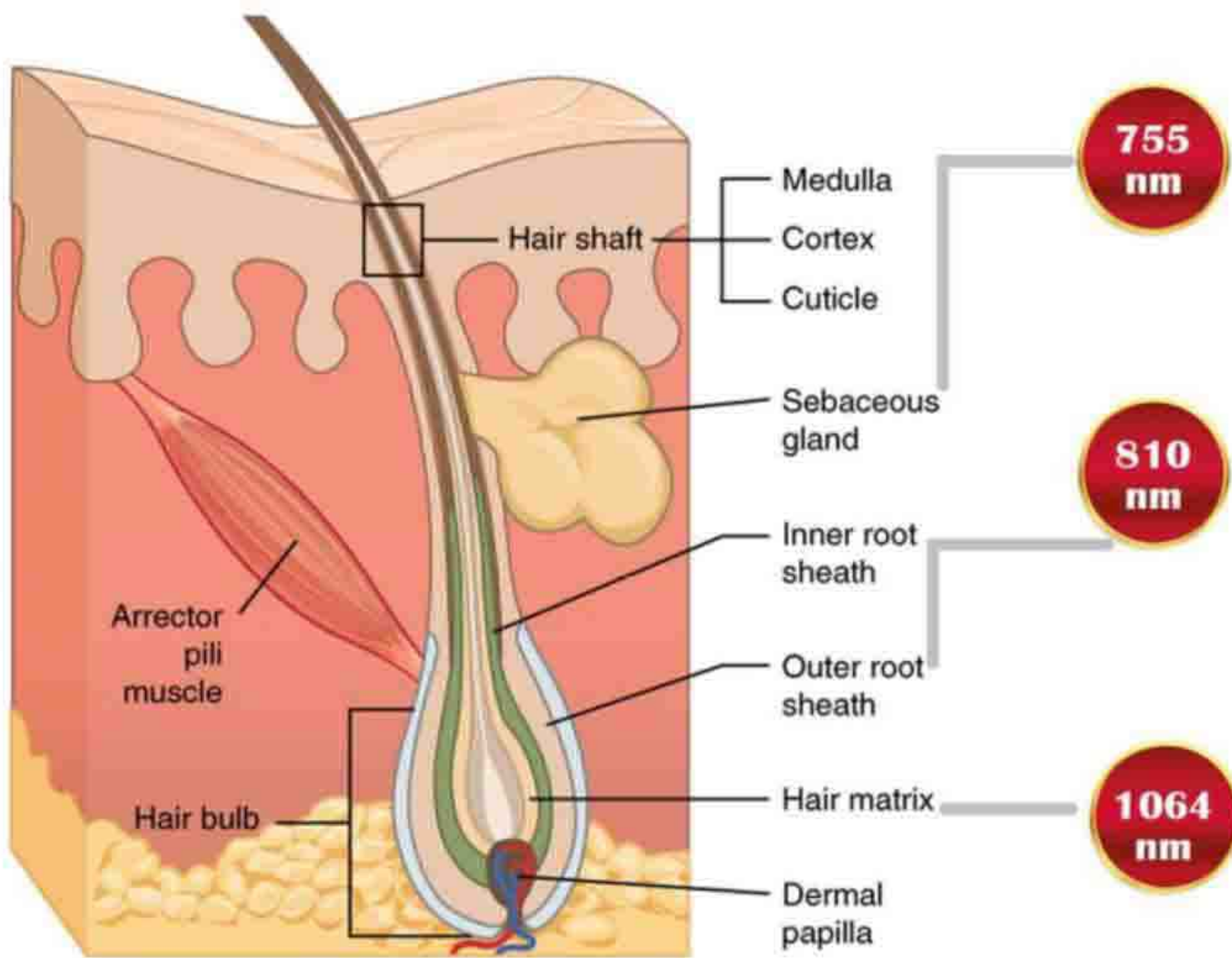




# Features



Smart RS 1200	
Parameters	Quantity
Power	1200W super laser power
	3000W super machine power
Wavelength	808nm/755nm/1064nm
Laser power	1200W
Pulse width	30-300ms
Energy density	1-166 J/cm <sup>2</sup>
Frequency	1-10Hz
Skin type	I-IV
Laser bar	100% pure AuSn bars from US Coherent
Lifespan	20,000,000 shots
Spot size	15x30mm/15x15mm/8mm (all with 3 <sup>rd</sup> generation handpiece)
Cooling type	Sapphire + Air+ Water circulation+ Semiconductor+ TEC
Cooling temperature	≤-5°C
Display	10.4 inch true color LCD touch screen
Size	63x60x116 cm (WxDxH)
Net weight	55Kg



**755 nm**

More powerful energy absorption by the melanin chromophore, making it ideal for the widest range of hair types and color

**810 nm**

Deep penetration of the hair follicle with high average power with high repetition rate for fast treatment, moderate melanin absorption level making it safe for darker skin types ideal for treating the arms, legs, cheeks and beard

**1064 nm**

Low melanin absorption, focused solution for darker skin types offers the deepest penetration of the hair follicle, embedded hair in areas as the scalp, armpit, and pubic area

# Result

